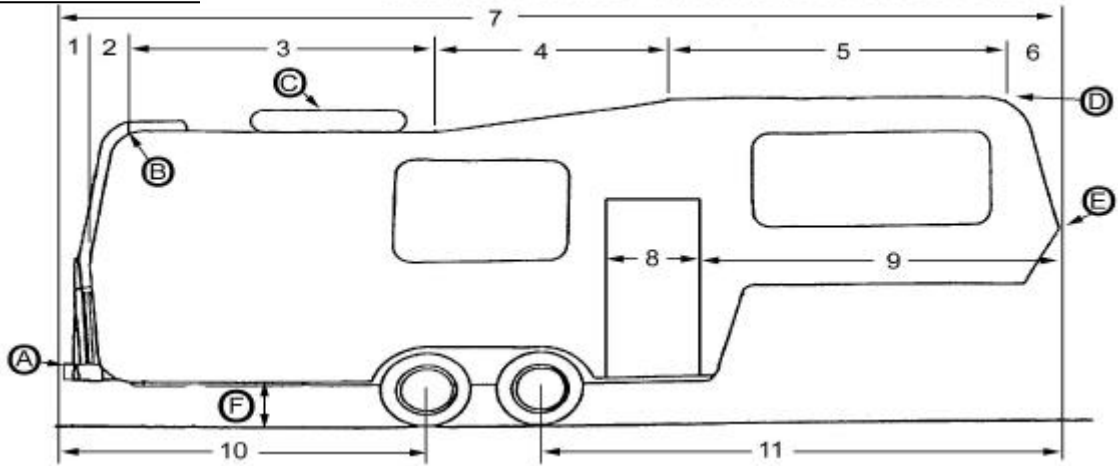




DIMENSION SHEET - FIFTH WHEEL TRAVEL TRAILER



- Lengths - Measured Horizontally**
- # 1 Rear bumper to rear of trailer _____
 - # 2 Rear of trailer to rear of roof _____
 - # 3 Rear of roof to start of rise _____
 - # 4 Start of rise to end of rise _____
 - # 5 End of rise to front of roof _____
 - # 6 Front of roof to front of trailer _____
 - Total _____
 - # 7 Overall length _____
 - If you have measured correctly, the total of # 1 through # 6 should be the same as # 7.**
 - # 8 Door width _____
 - # 9 Trailer front to front edge of door _____
 - # 10 Rear of trailer to rear wheel center _____

- Heights - Measured from Ground**
- A Height at rear bumper _____
 - B Height of roof at rear _____
 - C Height of pod or AC _____
 - D Height of roof at front _____
 - E Height at point "E" _____
 - F Road clearance _____
 - # 11 Rear of trailer to rear wheel center _____

- Widths, Measured Side to Side at Points Shown**
- A Width at rear bumper _____
 - B Width of body at point "B" _____
 - C Width of roof at point "C" _____
 - D Width of roof at point "D" _____

- E Width at front nose (point "E") _____

- Travel Trailer Information**
- 1 Do you have an awning? _____ How far does it extend out from the side (closed) _____
Driver or passenger side? _____
 - 2 Do you have a 2nd AC or pod? _____ Measure the distance between the two _____

A photo of the trailer will help us make the pattern. The photo can be returned if requested.

MAKE _____

MODEL _____

YEAR _____

NAME _____

Daytime phone _____

Date of order _____