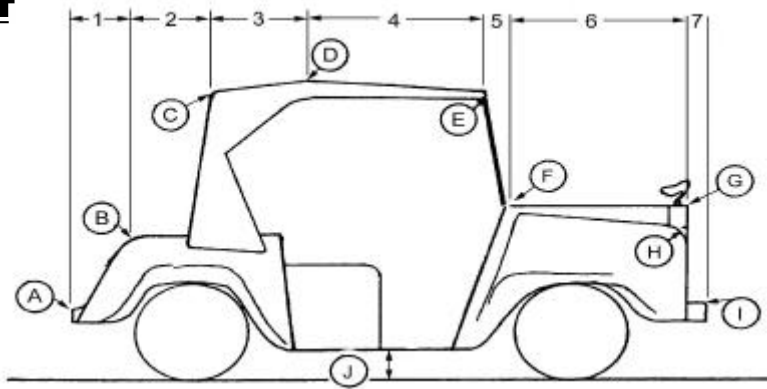




DIMENSION SHEET - GOLF CART



- Lengths - Measured Horizontally**
- # 1 Rear bumper to top of fender \_\_\_\_\_
  - # 2 Top of fender to rear of roof \_\_\_\_\_
  - # 3 Rear of roof to highest point of roof \_\_\_\_\_
  - # 4 Highest point of roof to front of roof \_\_\_\_\_
  - # 5 Front of roof to base of windshield \_\_\_\_\_
  - # 6 Base of windshield to front of hood \_\_\_\_\_
  - # 7 Front of hood to front of bumper \_\_\_\_\_

- Heights - Measured from Ground**
- HA Height to top of rear bumper \_\_\_\_\_
  - HB Height to top of rear fender \_\_\_\_\_
  - HC Height at rear of roof \_\_\_\_\_
  - HD Height at roofs highest point \_\_\_\_\_
  - HE Height of roof at front \_\_\_\_\_
  - HF Height at base of windshield \_\_\_\_\_
  - HG Height at front of hood \_\_\_\_\_
  - HH Height of front fender \_\_\_\_\_
  - HI Height of front bumper \_\_\_\_\_
  - HJ Ground clearance \_\_\_\_\_

**Widths, Measured Side to Side at Points Shown**

- WA Width of rear bumper at point "A" \_\_\_\_\_
- WB Width of body at point "B" \_\_\_\_\_
- WC Width of roof at point "C" \_\_\_\_\_
- WD Width of roof at point "D" \_\_\_\_\_
- WE Width of roof at point "E" \_\_\_\_\_
- WF Width at base of window, point "F" \_\_\_\_\_
- WH Width of body at point "H" \_\_\_\_\_
- WI Width of front bumper at point "I" \_\_\_\_\_

Draw in any accessories, noting the measurements and location (example - basket, wind wings, etc.)

**Vehicle Information**

A photo of the vehicle will help us make the pattern. The photo can be returned if requested.

MAKE \_\_\_\_\_

MODEL \_\_\_\_\_

YEAR \_\_\_\_\_

NAME \_\_\_\_\_

Daytime phone \_\_\_\_\_

Date of order \_\_\_\_\_