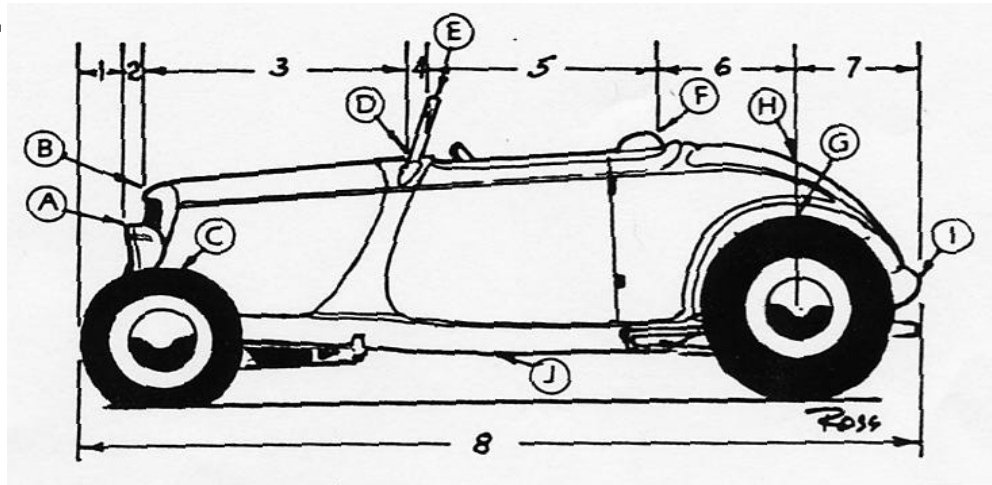




1934 Ford
Roadster
no bumpers,
no fenders,
no top



- Lengths - Measured Horizontally**
- # 1 Front of car to front of headlight _____
 - # 2 Front of headlight to front of hood _____
 - # 3 Front of hood to base of windshield _____
 - # 4 Base of windshield to top of windshield _____
 - # 5 Top of windshield to front of trunk _____
 - # 6 Front of trunk to center of rear axle _____
 - # 7 Center of rear axle to rear of car _____
 - # 8 Overall length of car, front to rear _____

If you have measured correctly, the sum of # 1 through # 7 should equal # 8.

- Heights - Measured from Ground**
- HA Height at top of headlights _____
 - HB Height at top of hood _____
 - HC Height at top of front tire _____
 - HD Height at base of windshield _____
 - HE Height at top of windshield _____
 - HF Height at front of trunk _____
 - HG Height of rear tire at rear axle _____
 - HH Height of trunk at rear axle _____
 - HI Height of car at rear _____
 - HJ Road clearance _____

Widths, Measured Side to Side at Points Shown

- WA Width across front headlights _____
- WB Width of hood at front _____
- WC Width across front tires _____
- WD Width of car at base of windshield _____
- WE Width of roof at front _____
- WF Width of roof at rear _____
- WG Width at base of rear window _____
- WH Width of car across rear tires _____
- WI Width of trunk at point "I" _____
- WJ Width of car at rear _____

Vehicle Information

A photo of the vehicle will help us make the pattern. The photo can be returned if requested.

YEAR _____ MAKE _____

MODEL _____ BODY STYLE _____

Name _____

Daytime phone _____

Date of order _____