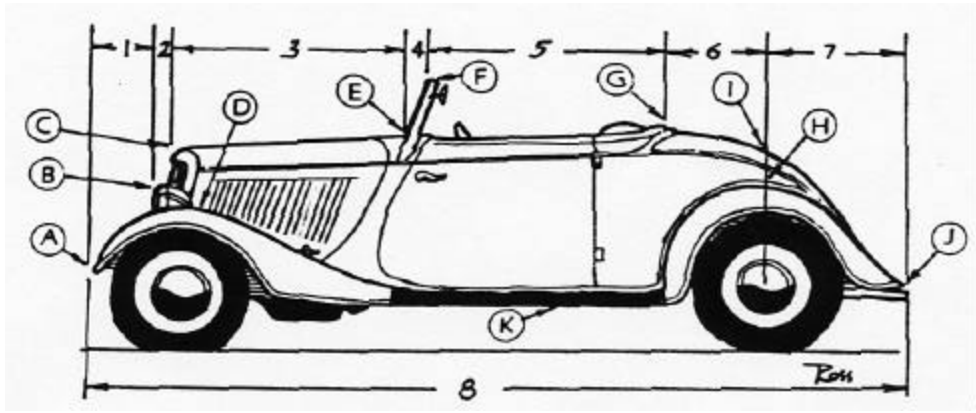




1934 Ford  
Roadster  
no top,  
no bumpers,  
with fenders



- Lengths - Measured Horizontally**
- # 1 Front of car to front of headlight \_\_\_\_\_
  - # 2 Front of headlight to front of hood \_\_\_\_\_
  - # 3 Front of hood to base of windshield \_\_\_\_\_
  - # 4 Base of windshield to top of windshield \_\_\_\_\_
  - # 5 Top of windshield to front of trunk \_\_\_\_\_
  - # 6 Front of trunk to center of rear axle \_\_\_\_\_
  - # 7 Center of rear axle to rear of car \_\_\_\_\_
  - # 8 Overall length of car, front to rear \_\_\_\_\_

If you have measured correctly, the sum of # 1 through # 7 should equal # 8.

- Heights - Measured from Ground**
- HA Height of fender at front of car \_\_\_\_\_
  - HB Height at top of headlights \_\_\_\_\_
  - HC Height at front of hood \_\_\_\_\_
  - HD Height at highpoint of fender \_\_\_\_\_
  - HE Height at base of windshield \_\_\_\_\_
  - HF Height at top of windshield \_\_\_\_\_
  - HG Height at front of trunk \_\_\_\_\_
  - HH Height at highpoint of rear fender \_\_\_\_\_
  - HI Height of trunk at point "I" \_\_\_\_\_
  - HJ Height at rear of car \_\_\_\_\_
  - HK Road clearance \_\_\_\_\_

**Widths, Measured Side to Side at Points Shown**

- WA Width of car at front fender \_\_\_\_\_
- WB Width of car across headlights \_\_\_\_\_
- WC Width of car at front hood \_\_\_\_\_
- WD Width of car at top of front fender \_\_\_\_\_
- WE Width of car at base of windshield \_\_\_\_\_
- WF Width of windshield at top \_\_\_\_\_
- WG Width of trunk at front \_\_\_\_\_
- WH Width of car across fenders \_\_\_\_\_
- WI Width of trunk at point "I" \_\_\_\_\_
- WJ Width of car at rear \_\_\_\_\_

**Vehicle Information**

A photo of the vehicle will help us make the pattern. The photo can be returned if requested.

YEAR \_\_\_\_\_ MAKE \_\_\_\_\_

MODEL \_\_\_\_\_ BODY STYLE \_\_\_\_\_

Name \_\_\_\_\_

Daytime phone \_\_\_\_\_

Date of order \_\_\_\_\_