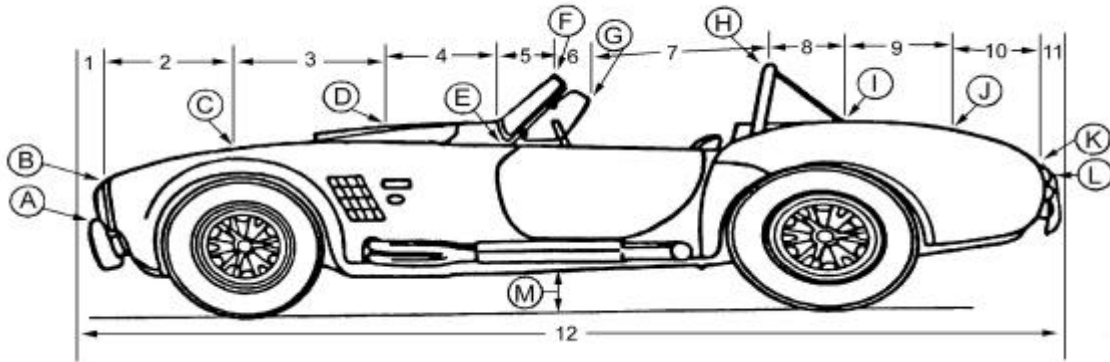




DIMENSION SHEET - COBRA



**Lengths - Measured Horizontally**

- # 1 Corner of front bumper to front of hood \_\_\_\_\_
- # 2 Front of hood to midpoint of front wheel \_\_\_\_\_
- # 3 Midpoint of front wheel to point "D" \_\_\_\_\_
- # 4 Point "D" to base of windshield \_\_\_\_\_
- # 5 Base of windshield to top of windshield \_\_\_\_\_
- # 6 Top of windshield to rear edge of wind wings \_\_\_\_\_
- # 7 End of wind wings to roll bar \_\_\_\_\_
- # 8 Top of roll bar to base of roll bar support \_\_\_\_\_
- # 9 Roll bar support to point "J" \_\_\_\_\_
- # 10 Mid-point of trunk (J) to end of trunk \_\_\_\_\_
- # 11 End of trunk to end of bumper or nerf bar \_\_\_\_\_
- Total \_\_\_\_\_
- # 12 Overall length of pickup at corner of bumpers \_\_\_\_\_

**Heights - Measured from Ground**

- HA Height at "A" \_\_\_\_\_
- HB Height at "B" \_\_\_\_\_
- HC Height at "C" \_\_\_\_\_
- HD Height at "D" \_\_\_\_\_
- HE Height at "E" \_\_\_\_\_
- HF Height at "F" \_\_\_\_\_
- HG Height at "G" \_\_\_\_\_
- HH Height at "H" \_\_\_\_\_
- HI Height at "I" \_\_\_\_\_
- HJ Height at "J" \_\_\_\_\_
- HK Height at "K" \_\_\_\_\_
- HL Height at "L" \_\_\_\_\_
- HM Height at "M" \_\_\_\_\_

**If you have measured correctly, the total of # 1 through # 11 should be the same as # 12.**

**Widths, Measured Side to Side at Points Shown**

- |   |   |
|---|---|
| <b>WA</b> Width across front of car at point "A" _____  | <b>WG</b> Width across wind wings _____         |
| <b>WB</b> Width across nose of hood at point "B" _____  | <b>WH</b> Width across top of roll bar _____    |
| <b>WC</b> Width across hood at point "C" _____          | <b>WI</b> Width across trunk at point "I" _____ |
| <b>WD</b> Width across hood at point "D" _____          | <b>WJ</b> Width across trunk at point "J" _____ |
| <b>WE</b> Width across hood at base of windshield _____ | <b>WK</b> Width across rear of trunk _____      |
| <b>WF</b> Width across top of windshield _____          | <b>WL</b> Width of car at rear _____            |

**Vehicle Information**

A photo of the vehicle will help us make the pattern. The photo can be returned if requested.

MAKE \_\_\_\_\_

MODEL \_\_\_\_\_

YEAR \_\_\_\_\_

NAME \_\_\_\_\_

Daytime phone \_\_\_\_\_

Date of order \_\_\_\_\_